



RF Components

Model Number:
COM02S1P-278000

2-Way Passive Audio/Video Signal Splitter

ASI, SD-SDI, ED-SDI, HD-SDI, 3G-SDI Compatible

- All ports 10MHz & DC Pass
- Available with RF connector options:
 - 75 Ω BNC



Flexible Mounting

Tapped screw & through hole mounting options



Compact

Housed in rugged compact enclosure

Passive

RF Parameters		
COM02S1P-278000-XXXX		B7B7
Frequency Range		500-2750 MHz
Compatibility		ASI, SD-SDI, ED-SDI, HD-SDI, 3G-SDI
RF Connectors		75Ω BNC
Mean Insertion Loss (dB)		1.0±0.5
Flatness ± (dB)	Typ.	0.7
Input Return Loss (dB)	Min	18
	Typ.	12
Output Return Loss (dB)	Min	20
	Typ.	12
Isolation (dB)		10
Amplitude Balance (dB)		≤0.5
Phase Balance (Φ)		≤5°
The given Insertion Loss specified is the loss above the theoretical limit for a lossless divider 10MHz Insertion Loss is up to 3dB above the theoretical loss* 10MHz Rejection is 20dB* *To ports which are applicable		

Broadcast



Marine Oil & Gas



SNG & VSAT



Satellite Teleport



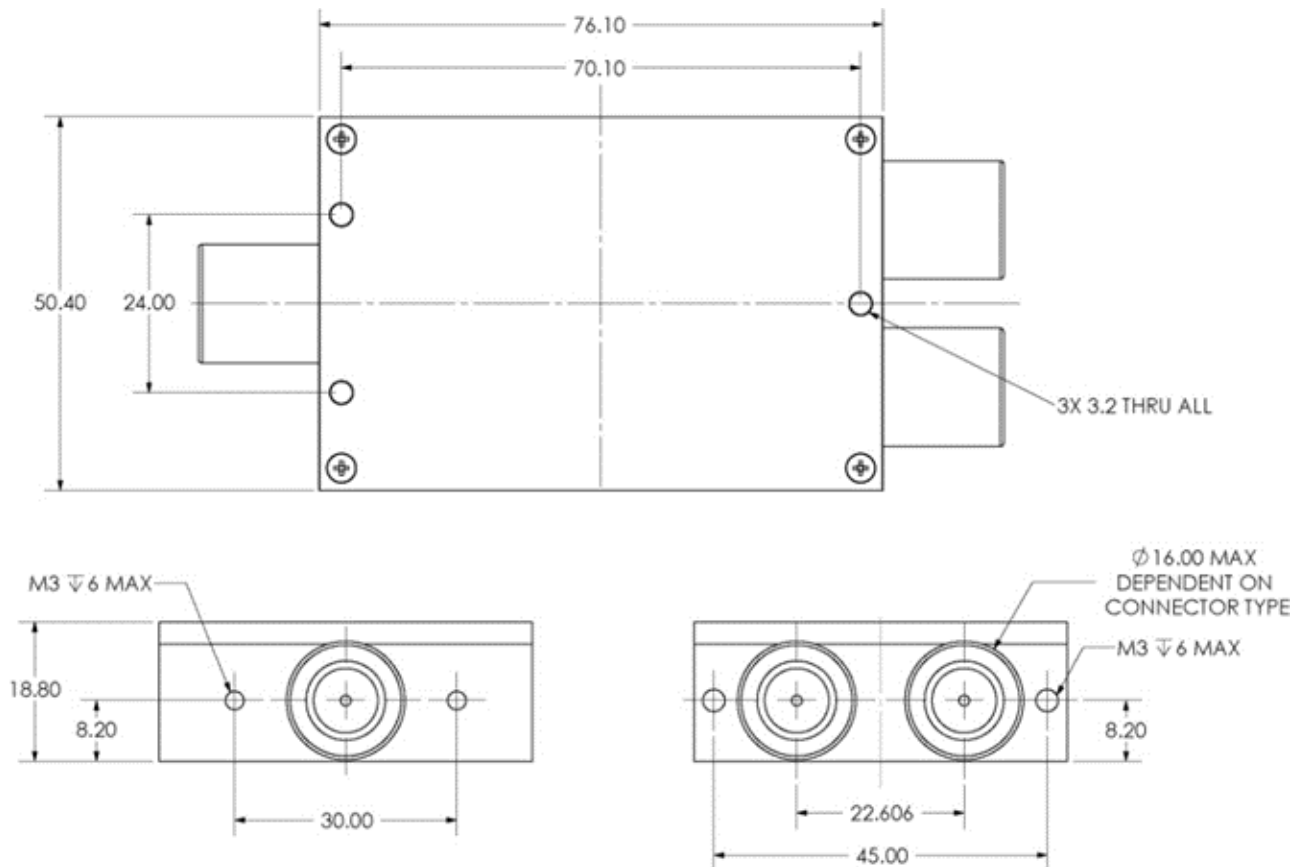
Technical specifications and operating parameters

Environmental	
Operating Temperature	0°C to +45°C
Storage Temperature	-20°C to +75°C
Location	Indoor use Only
Humidity	Max. 85% non-condensing
Altitude	Max. 10,000 feet

Max Operating Parameters	
Input RF Power into matched load with 20dB return loss	+27dBm (500mW) as splitter
DC Voltage	35V on any RF port
DC Current	500mA
DC Consumption	N/A

! Operation beyond these limits may cause instantaneous and permanent damage.

Physical Dimensions (mm)



Note: The specification is subject to regular reviews and will be updated from time to time as part of our continuing product development and improved specification accuracy.